

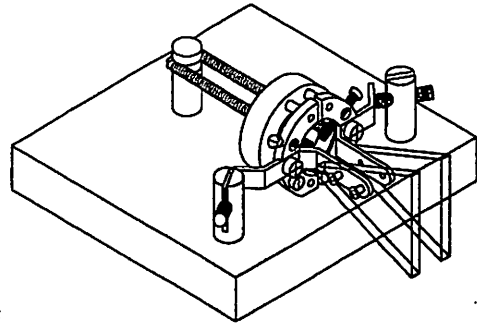
# Instructions

## *Bencher* Iambic Paddle

---

### BENCHER PADDLE

Your Bencher Ultimate Paddle is the finest iambic paddle ever offered to the market. It is fabricated from the finest materials, and should give a lifetime of use.



### ADJUSTMENTS

Following the instructions supplied with your electronic keyer, connect the paddle to your keyer. Most operators hook up the right side of the paddle to the dash circuitry of the keyer, and the left side to the dot circuitry.

Vary contact spacing to suit your personal preference by loosening the set screws in the split posts (with wrench provided) and turn the contact screw to the desired spacing. Re-tighten the set screw.

Keyer lever tension adjustment is changed by varying the length of the small screws attached to the spring on the split ring. The lightest touch, or minimum tension, is achieved with these screws all the way in. To increase tension, back the screws out to the desired level.

The contact points are solid silver with a gold plating, requiring little or no cleaning under normal conditions. If cleaning is determined to be necessary, do so by drawing a clean piece of paper through them. Do not, under any circumstances, use any form of file or sandpaper.

---

### LA CLÉ MORSE BENCHER

Votre clé morse Bencher est la clé iambic de manipulation de la plus belle qualité jamais offerte sur le marché.

### RÉGLAGES

Connectez la clé de manipulation à votre manipulateur électronique de la façon habituelle.

Ajustez l'espace des contacts pour correspondre à votre préférence, en débloquant les vis d'arrêt dans les colonnes porte-contacts à l'aide de la clé hexagonale (fournie) et tournez les vis de contact jusqu'à la position désirée. Rebloquez les vis d'arrêt. On change la dureté du levier en variant la longueur des petites vis attachées au ressort sur les deux demi-cercles. La pression minimum, ou tension minimum, est obtenue avec ces vis entièrement serrées. Pour augmenter la tension, dévissez ces vis à la valeur désirée.

Les contacts sont en argent pur plaqué or et doivent être nettoyés uniquement en passant un bout de papier propre entre eux. N'utilisez sous aucun prétexte, aucune sorte de lime ou de papier de verre.

## WARRANTY INFORMATION

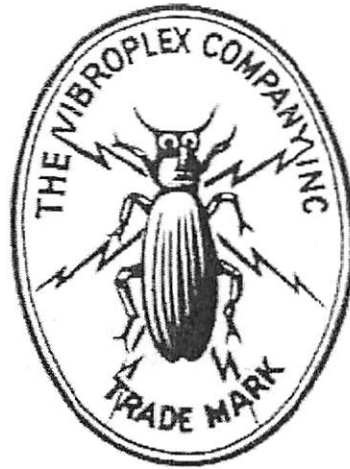
VIBROPLEX, LLC

1001 BROADWAY

KNOXVILLE, TENNESSEE 37917

(865) 309-5073

[WWW.VIBROPLEX.COM](http://WWW.VIBROPLEX.COM)  
[vibroplex@vibroplex.com](mailto:vibroplex@vibroplex.com)



Each Vibroplex® is carefully inspected for appearance and performance before it leaves the factory. However, every once in a while a problem does arise that was not apparent at the time of final inspection. **PLEASE INSPECT THE KEY CAREFULLY WHEN YOU FIRST RECEIVE IT** and notify us immediately if you find a problem.

Your new Vibroplex® has a ninety (90) day guarantee against manufacturing defects. This does not include normal wear or damage resulting from abuse, neglect, accident or the improper use and maintenance of the unit. This guarantee is good only to the original owner, and is not transferable. **ALL WARRANTY CLAIMS REQUIRE PROOF OF PURCHASE.**

To submit a warranty claim, please call us at (865) 309-5073. Under no circumstances should you return a unit for a warranty claim without prior authorization. All claims are subject to our inspection at the factory. If, upon our inspection, a warranty claim is deemed to be invalid, we will offer you a quote on the cost of repairing your unit.

We do have an in-house repair service. You may return your unit to us for a quote on the cost of repairs. We will advise you of the amount in advance and you may decide if you wish to have the repairs done. If you decide against repairs the unit will be returned to you C.O.D. (shipping charges).

### PACKING YOUR KEY

**PLEASE BE SURE YOUR UNIT IS PROPERLY PACKED AND INSURED** as we cannot be responsible for damage done in shipping as the result of improper packing.

Because Vibroplex® keys are highly collectible, we recommend you keep the original key box with label. The original shipping box and packing materials should be saved as they will come in handy even when carrying your unit from place to place. **WE STRONGLY RECOMMEND THAT THE LEVER ARM AND WEIGHTS (for those keys with weights) BE REMOVED AND WRAPPED SEPARATELY FROM THE KEY.**

We hope that you have many years of operation from your Vibroplex® without the use of these services, but we want you to know they are available should you need them.