

**BIRD**

INSTRUCTION BOOK

**THRULINE<sup>®</sup>**  
**RF Directional Wattmeter**

**model 43**



INSTRUCTION BOOK

**THRULINE<sup>®</sup>**  
**RF Directional**  
**Wattmeter**  
**model 43**



**BIRD**

30303 Aurora Rd. Cleveland(Solon) Oh.44139

## SUMMARY SHEET

- Circuit - 50-ohm impedance - THRULINE
- Measures - RF Power - 5W to 5000W Full Scale Direct Reading in Watts, Frequency Range 2 - 1000 MHz in Six Std. Element types, See Table I, Section 4.
- Insertion VSWR - Less than 1.05 VSWR up to 1000 MHz
- Accuracy -  $\pm 5\%$  of Full Scale Power
- Dimensions - Basic Overall 7"lg x 4"w x 3"h
- Weight - 4 Pounds
- Connectors - Female and Male "N"  
Female and Male "HN"  
Female and Male "C"  
Most std. 50-ohm AN types
- } Not supplied on regular orders
- 2 Female "N" Connectors standard with equipment, unless otherwise specified.

## TABLE OF CONTENTS

### SECTION 1 - GENERAL DESCRIPTION

<u>Paragraphs:</u>	<u>Page</u>
1. Purpose and Application	1-1
2. Description	1-1

### SECTION 2 - THEORY OF OPERATION

1. Travelling Wave Viewpoint	2-1
2. Coupling Circuit	2-1
3. Standing Wave Ratio vs. Reflected/Forward Power Ratio	2-1

### SECTION 3 - INSTALLATION

1. Portability	3-1
2. Connections	3-1
3. Remote Installation	3-2

### SECTION 4 - OPERATION

1. General	4-1
2. Load Power	4-1
3. Graph - $\rho$ vs. $\beta$ and its Significance	4-1
4. Measurement & Monitoring of Transmitter Power	4-4
5. Testing of Lines, Connectors, Filters, etc.	4-4
6. Frequency Response	4-5
7. Impedance Mismatch	4-6

### SECTION 5 - MAINTENANCE

1. Introduction	5-1
2. Trouble Shooting	5-1
3. Calibration Checks - THRULINE vs. TERMALINE Wattmeters	5-2

### SECTION 6 - PARTS LIST

6-1

## LIST OF ILLUSTRATIONS

<u>Figure:</u>	<u>Page</u>
1-1 View of Model 43 THRULINE	1-0
2-1 Schematic Diagram	2-1
3-1 Outline Drawing, Model 43 THRULINE	3-1
3-2 Installation Drawing, RF Line Section	3-2
3-3 Panel Cut for Mounting RF Body	3-2
4-1a Graph - Percent Reflected Power vs. VSWR (1.0 to 1.3)	4-2
4-1b Graph - Percent Reflected Power vs. VSWR (1.0 to 8.0)	4-3
4-2 Graph - Frequency Response	4-5
5-1 Parts Illustration	5-2

## LIST OF TABLES

<u>Table:</u>	<u>Page</u>
I Range of Element Types	4-6
II-IV Special Element Types	4-6

## APPENDIX

Nomographs of Power Values vs VSWR Conversion

TABLE OF CONTENTS

SECTION I - GENERAL DESCRIPTION



Fig. 1-1. Model 43 THRULINE

## SECTION 1 GENERAL DESCRIPTION

### 1. PURPOSE AND APPLICATION

The Model 43 THRULINE Wattmeter is an insertion type RF wattmeter, designed to measure power flow and load match in 50-ohm coaxial transmission lines. It is intended for use on CW, AM, FM, and TV modulation envelopes, but not pulsed modes. The Model 43, when used in 50-ohm applications, has an insertion VSWR of less than 1.05:1 up to a frequency of 1000 MHz. The meter is direct reading in watts, expanded down scale for easy reading, and is graduated 25, 50, and 100 watts full scale. The power ranges used are determined by the Plug-In Elements, which fall in ten frequency band groups covering from 2 to 2300 MHz plus additional special Elements in various power and frequency ranges (see Section 4). Further characteristics may be found in the Summary Sheet on page A.

### 2. DESCRIPTION

The Model 43 THRULINE, Figure 1-1, is a portable unit contained in a die cast aluminum housing, with a formed metal enclosure on the back which is easily removed. Included with the unit is a leather carrying strap, four rubber shock feet on the base, and four rubber bumpers on the back, which allow the Model 43 to stand or lie flat when used. For additional protection, the microammeter is specially shock mounted. A slotted screw is provided on the lower front face of the meter for zeroing the pointer. Below the meter, the RF line section face protrudes slightly from the wattmeter housing with the Plug-In Element socket in the center.

A shielded cable connects the microammeter to the dc jack which is attached to the side of the RF line section casting. This cable, nearly three feet long, permits removal of the RF line section from the Wattmeter housing. Meter connections may be maintained with any installations outside of the hous-

ing. This permits permanent additional installations to be made. See Section 3, INSTALLATION.

Inside the dc jack assembly, there is a filter capacitor which shunts the meter circuit to prevent mis-readings caused by stray RF energy existing in the Plug-In Element. Mounted on the dc jack is a phosphor bronze spring finger, which protrudes through a lateral hole and into the Plug-In Element socket of the RF line section. The finger has a button on its end which mates with the contacts of the Plug-In Element. The nickel plated brass RF line section is precision made to provide the best possible impedance match to the coaxial RF transmission line in which the Model 43 is inserted. The ends of the line section are nested in mating slots to provide additional mechanical support.

At each end of the line section are Bird Quick-Change type RF connectors, which may be quickly interchanged with any other Bird "QC" connector by removing the four screws on the mounting flanges. The Wattmeter housing does not interfere with any connector changes.

To make measurements, the cylindrical shaped Plug-In Element is inserted into the line section socket and rotated against one stop. A small catch in the upper right hand corner of the casting face presses on the shoulder of the Plug-In Element to keep it in proper alignment and assure a good contact with the dc jack and between the lower edge of the Element and line section body. On diametrically opposite sides of the Plug-In Element body are contacts to provide dc pick-up in either direction. These contacts make connection with the spring finger of the dc jack only when the Plug-In Element is in the precise forward or reverse position, and with the index pin on the Element on the lower level of the line section casting face against its respective stop.

## SECTION 2 THEORY OF OPERATION

### 1. TRAVELLING WAVE VIEWPOINT

The best way to visualize the THRULINE idea is from the TRAVELLING WAVE viewpoint on transmission lines, which illustrates that the voltages, currents, standing waves, etc., on any uniform line section are the result of two travelling waves:

**FORWARD WAVE** travels (and its power flows) from source to load, and has RF voltage  $E$  and current  $I$  in phase, with  $E/I = Z_0$ .

**REFLECTED WAVE** originates by reflection at the load, travels (and its power flows) from the load to source and also has an RF voltage  $E$  and current  $I$  in phase, with  $E/I = Z_0$ .

Note that each component wave is mathematically simple, and is completely described by a single figure for power, for instance:

$$W_F = \text{Watts Forward} = E^2/Z_0 = I^2 Z_0 = EI$$

$$W_R = \text{Watts Reverse} = E^2/Z_0 = I^2 Z_0 = EI$$

$Z_0$  is the characteristic impedance of the uniform line, and simplifies matters by being a pure resistance, usually 50 ohms, for useful lines. The main RF circuit of the THRULINE is a short piece of uniform air type line section, whose  $Z_0$  is a very accurate 50 ohms, in which correct measurements may be made.

### 2. COUPLING CIRCUIT

The coupling circuit which samples the travelling waves is in the Plug-In Element. The circuitry of the Element and its relationship to the other components of the THRULINE are illustrated in the schematic diagram, Figure 2-1. Energy will be pro-

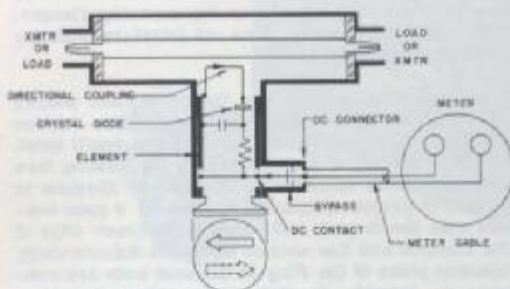


Fig. 2-1. Schematic Diagram

duced in the coupling circuit of the Element by both mutual inductance and capacitance from the travelling RF waves of the line section. The inductive currents will, of course, flow according to the direction of the travelling waves producing them. The capacitive portion of these currents is naturally independent of the direction of the travelling waves. Therefore, assuming that the Plug-In Element remains stationary, it is apparent that the coupling currents produced from the waves of one direction will add in phase, and those produced from waves of the opposite direction will accordingly subtract in phase. The additive or "ARROW" direction is, of course, assigned to the forward wave.

The electrical values of the Element circuits are carefully balanced and so designed that the current produced from the reverse wave will cancel the other almost completely. The resultant is a directivity always higher than 30 dB, which means that the Element is highly insensitive (muted) to the "REVERSE" direction wave. Being highly directional, the THRULINE Element is sensitive (at one setting) only to one of the travelling waves which produces standing waves by interference. THRULINE measurements are therefore independent of position along standing waves. It may be said that the THRULINE doesn't know, doesn't care, and doesn't need to care where it is along a standing wave.

### 3. STANDING WAVE RATIO vs. REFLECTED/FORWARD POWER RATIO

As mentioned above, the THRULINE technique uses the TRAVELLING WAVE viewpoint to measure most of the outstanding facts about transmission line operation. Another widely used and related viewpoint, is the STANDING WAVE, which is quite elaborately developed both mathematically and in existing equipment. This technique can be traced to the early development of slotted lines as tools of exploration.

The slotted line is a standing wave instrument, and emphasizes this viewpoint. However, the slotted line is too long, too expensive if good, not portable, and slow in operation. These objections increase rapidly as the frequency drops below 1000 MHz. Whereas the THRULINE is surprisingly quick, convenient, and accurate by comparison. With the exception of phase angle reflection (distance, load to minimum) it tells everything a slotted line will.

The relationships between TRAVELLING WAVES and STANDING WAVE viewpoints are given in most high frequency textbooks.

## SECTION 3 INSTALLATION

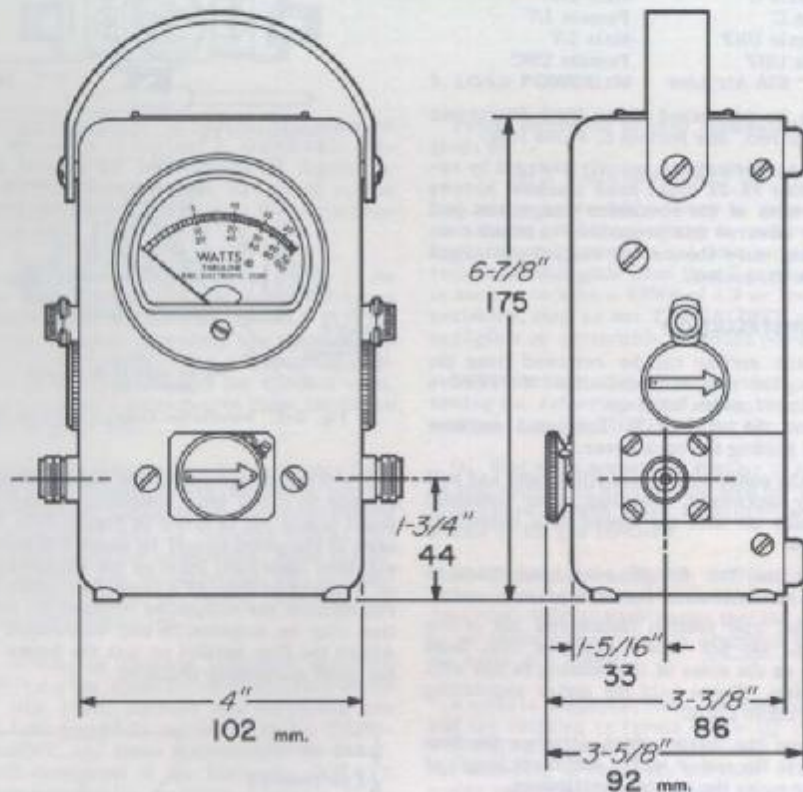


Fig. 3-1. Outline Drawing, Model 43 THRULINE

### 1. PORTABILITY

The Model 43 is a portable instrument, and the housing is not designed for fixed mounting (see Outline Drawing, Figure 3-1). A strap is provided for carrying purposes.

While transporting the THRULINE it is best to re-insert the original Dust Plug, or a Plug-In Element with the arrow pointed upward, in the measuring socket, and secure with the catch. This will shunt the meter circuit and serve to protect the meter by dampening needle action during handling or shipping. Also, secure spare Plug-In Elements in their receptacles with the pivoting knob clamps; just insert Element to seat and twist knob one-quarter turn to hold. Handle the Plug-In Element with care at all times. Calibration could be disturbed if they are dropped.

### CAUTION

Do not drop the THRULINE or its Elements or subject them to hard blows. The microammeter is

shock mounted in the wattmeter housing, but its delicate mechanism may be damaged by severe impact.

### 2. CONNECTIONS

Insert the Model 43 THRULINE in coaxial transmission lines of 50 ohms nominal impedance. It is indifferent to which respective side the power source and the load connections are made. If cables other than 50 ohms are used, a mismatch will occur causing probable serious inaccuracies in readings. However, if a mismatch cannot be avoided, the results may be calculated per paragraph 7 of Section 4. We strongly urge that you avoid this condition.

The Model 43 is normally supplied with two Female N-Type connectors which are of the Bird Quick-Change design. Other "QC" connectors are available as listed:



Male N	Female BNC
Female HN	Male BNC
Male HN	Female LC
Female C	Male LC
Male C	Female LT
Female UHF	Male LT
Male UHF	Female TNC
7/8" EIA Air Line	Male TNC

These may be purchased from Bird Electronic Corp., as required. See Section 6, Parts List.

The above connectors are quickly changed by removing the four #8-32 round head machine screws from the corners of the connector flange, and pull straight out. Reverse this procedure to attach connector, making sure the center contact pin aligns properly with the socket.

### 3. REMOTE INSTALLATION

The RF line section can be removed from the meter housing for remote installation. To remove the line section from its housing:

- Unscrew the six #8-32 flat head machine screws holding the back cover.
- Grasp the cover by the side filler tabs and pull directly backwards. The back cover assembly will come off with the speed nuts remaining attached.
- Remove the two #10-32 oval head machine screws on the front of the housing.
- Slide the line section backwards out of the housing. Do not loosen the two oval head screws on the sides of the housing in line with the meter. These hold the meter supporting shock ring in place.
- Substitute the cable which attaches the line section to the meter with a sufficient length of cable to make the remote installation.
- To replace the RF line section, reverse the above procedure.

It may be desirable to have two or more line sections permanently installed in continuous operating equipment. In this case, one set of Elements and one meter may be used to measure several RF transmission lines WITHOUT INTERRUPTION OF RF LINES for insertion of the THRULINE. Additional RF line sections (Figure 3-2) are available.

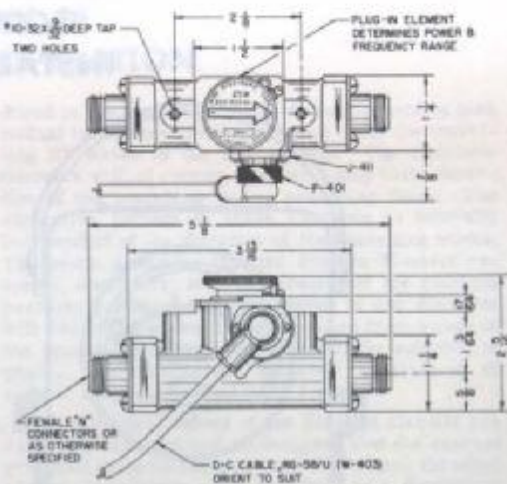


Fig. 3-2. Installation Drawing, RF Line Section

The RF Line Section of the Model 43 blends very readily to panel type mounting. A layout for the panel mount cut is given in Figure 3-3. The thickness of the panel should be about 1/4 inch. On panels less than this, build up the thickness with pads or washers to achieve a flush-face mounting. Cable connections are simplified because the RF line section may be mounted in any convenient direction. Attach the line section so that the finger catch is in the most accessible position.

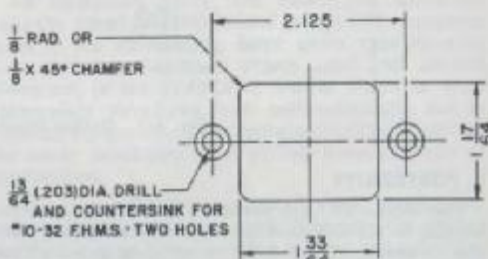


Fig. 3-3. Panel Cut for Mounting RF Body

## SECTION 4 OPERATION

### 1. GENERAL

The apparent features of the THRULINE equipment have been discussed in Section 1, GENERAL DESCRIPTION, and in the instructions of Section 3, INSTALLATION. Measurements are made by the insertion and operation of the Plug-In Elements previously mentioned.

The Elements determine the power range to be read on the meter scale, and the major markings (viz. 50W, 100W, etc.) are the FULL SCALE POWER value for that Element. Elements are also marked for FREQUENCY RANGE. The transmitter frequency must be within the band of the Element used. Elements are available according to those identified in the tables on page 4-6.

See paragraph 6 of this chapter for frequency band flatness, and performance of the Elements outside of stated frequencies. Elements for additional ranges (power or frequency) may be ordered without returning the THRULINE for calibration, since the RF bodies and meters are standardized, and are designed for a wide range of coaxial transmission power values and frequencies.

ARROW on Plug-In Element indicates Sensitive DIRECTION, i.e., the direction of power flow which the meter will read. ARROW and REVERSE are directional terms used in reference to the THRULINE ELEMENT, and mean respectively the sensitive and null directions of the Element. ROTATE ELEMENT to reverse the sensitive direction. FORWARD and REFLECTED are directional terms used in reference to the source - load circuit. Note that the transmitter may attach to either connector of the THRULINE. It makes no difference which external RF connection is selected, since the Elements are reversible and the RF circuit is symmetrical end for end. Before taking readings be sure that the meter pointer has been properly zeroed under no-power conditions.

The THRULINE used with a TERMALINE resistor of proper power rating forms a highly useful absorption wattmeter. With ARROW set toward the load, it is unnecessary to reverse because reflected power may be neglected.

In cases where readings are being made when the meter unit is connected to an auxiliary RF line section body, always remove any measuring Element from the unused RF line section. Otherwise, the dc circuit will be unbalanced or shorted according to the arrow position of the other Element, causing inaccurate or no reading on the meter.

### 2. LOAD POWER

Power delivered to (and dissipated in) a load is given by:

$$\dot{W} = \text{Watts into Load} = \dot{W}_f - \dot{W}_r$$

i.e., where appreciable power is reflected, as with an antenna, it is necessary to subtract reflected from forward power to get load power. This correction is negligible (less than 1 percent) if the load is such as to have a VSWR of 1.2 or less. Good load resistors, such as our TERMALINES, will thus show negligible or unreadable reflected power.

VSWR scales, and their attendant controls, for setting the reference point, have been intentionally omitted from the THRULINE for two reasons:

(a) Why make something similar to a hypothetical dc volt ohmmeter with control pots for the voltmeter multipliers? Even more complications arise when diodes at RF are involved.

(b) Experience using the THRULINE on transmitter tune-up, antenna matching etc., i.e., on OPERATING PROBLEMS shows that the power ratio  $\beta$  is no mean competitor, in practical usefulness, to the ratio  $\rho = \text{VSWR}$ .

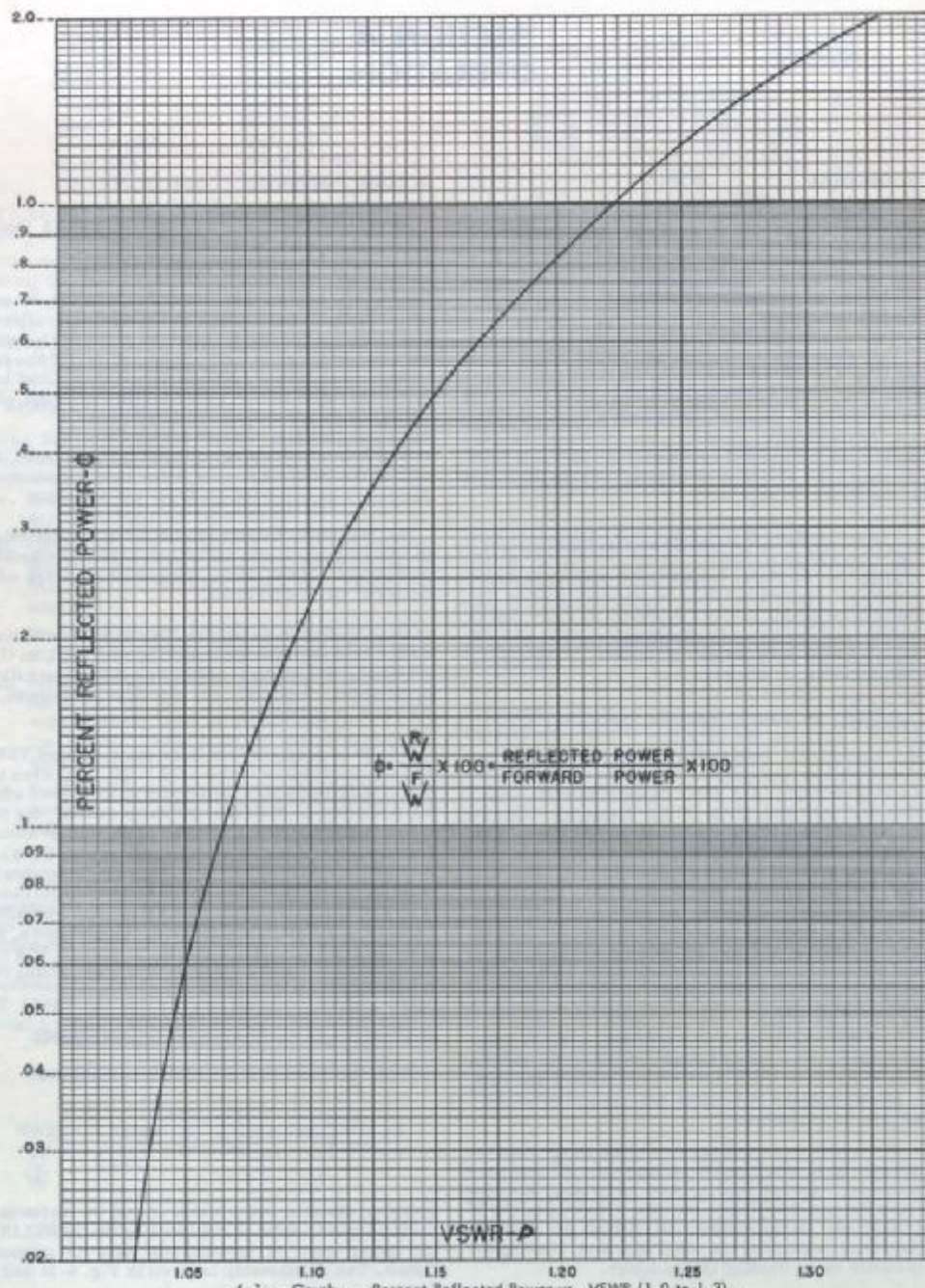
A trial is suggested for a few days - forget VSWR and try thinking in terms of  $\beta = \dot{W}_r / \dot{W}_f$  when the THRULINE is used. It will be noted that, even without bothering to calculate the ratio exactly, the two meter readings  $\dot{W}_f$  and  $\dot{W}_r$  give an automatic mental impression which pictures the situation. Thus, in an antenna matching problem, the main thing usually is to minimize  $\dot{W}_r$ , and anything done experimentally to this end is directly indicated when the THRULINE is in the reflected position. Furthermore, the ratio of readings, only mentally evaluated, is a reliable guide to the significance of the remaining reflected power.

### 3. GRAPH- $\rho$ VS. $\beta$ AND ITS SIGNIFICANCE

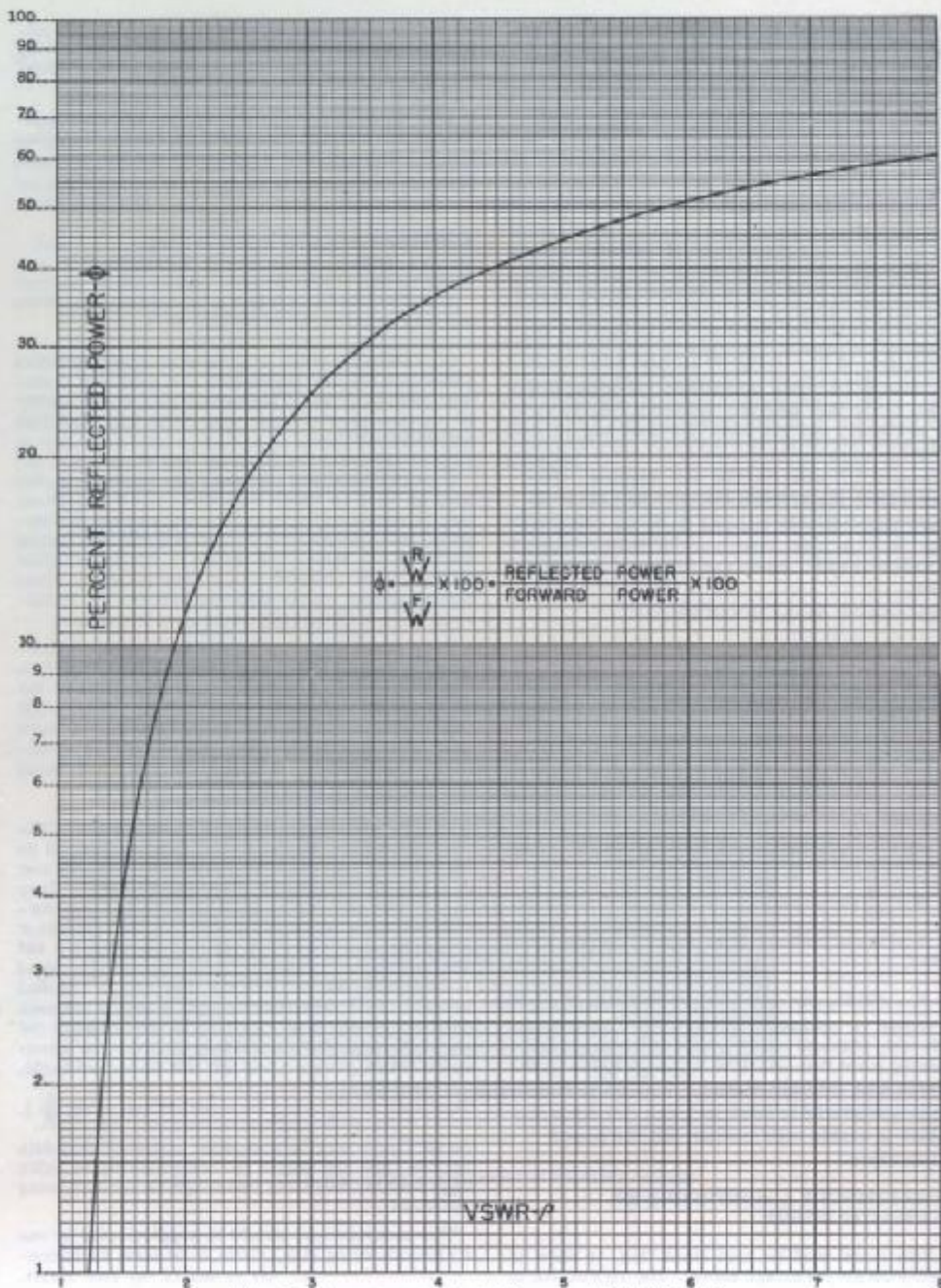
Since there are definite simple relationships

$$\rho = \frac{1 + \sqrt{\beta}}{1 - \sqrt{\beta}} \quad \text{and} \quad \beta = \left[ \frac{\rho - 1}{\rho + 1} \right]^2 \quad \text{where } \rho = \text{VSWR}$$
$$\text{and } \beta = \frac{\dot{W}_r}{\dot{W}_f}$$

between standing wave ratio  $\rho$  and the reflected/forward power ratio  $\beta$  indicated by the THRULINE, the latter may be conveniently used to measure VSWR. The relationship is given in Fig. 4-1a and b.



4-1a. Graph. — Percent Reflected Power vs. VSWR (1.0 to 1.3).



4-1b. Graph. — Percent Reflected Power vs. VSWR (1.0 to 8.0).

Note, that around  $\beta = 10\%$ , below which  $\frac{W}{V}$  will appear insignificant and become hard to read, you are close to the commonly accepted lower limit  $\rho = 2$ , below which improved antenna match becomes less and less worthwhile in many systems. Experimentally, using the THRULINE, it is readily shown that minimizing  $\beta$  below  $10\%$  produces little gain in  $\frac{W}{V}$ . TV transmitter antenna lines, and VHF Omnidirectional transmitters, are among systems requiring much lower levels of reflected power for reasons other than simple power transmission. Note also in Fig. 4-1a, the very small level of reflected power,  $\beta = .06$  percent, corresponding to  $\rho = 1.05$ . With a single Element, detection of reflected power is possible down to about  $\beta = 1$  percent,  $\rho = 1.2$ ; if  $\frac{W}{V}$  approaches full scale, measurement is possible down to about  $\beta = 5$  percent,  $\rho = 1.5$ .

LOW-REFLECTION MEASUREMENTS may be extended below this with two Elements. Say 80 watts are available, and you have 100 watt and 10 watt Elements.

Measure  $\frac{W}{V}$  with the 100 watt Element. Remove 100W Element and insert 10 watt Element.

**CAUTION:** 10 watt Element must be ONLY in the REFLECTED direction. ARROW toward TRANSMITTER. Insert and remove ONLY this way.

Now read  $\frac{W}{V}$  on the 10 watt Element.

#### SPECIAL NOTE

DON'T ROTATE 10 watt Element while TRANSMITTER is on. Always use great care with LOW SCALE Elements on HIGH power RF lines. Inadvertent exposure of these Elements to too much FORWARD or even too high reflected power may permanently damage the measuring Element or the microammeter.

In this case, measurement down to at least .5 watt reflected is possible which means to

$$\beta = \frac{.5}{80}, \text{ say } .6 \text{ percent, or to about } \rho = 1.16$$

and detection of reflections is possible down to about .1 watt,

$$\beta = \frac{.1}{80} = .00125, \text{ say } .1 \text{ percent, or to about } \rho = 1.06$$

Caution is necessary in the above method, and preferably it should not be used with Element ranges differing more than 100 to 10, although 250 to 10 can be used with extreme caution. With certain Elements now available down to 1 watt full scale this method is usable with medium and low power transmitters.

#### 4. MEASUREMENT & MONITORING OF TRANSMITTER POWER

Little more need be said about this, in view of LOAD POWER paragraph above. The THRULINE is

useful for continuous monitoring of transmitter output, and may be found useful in continuous monitoring of reflected power, for instance in checking intermittent antenna or line faults.

Like diode devices generally, the THRULINE indicates the carrier component on amplitude modulation, with very little response to sideband components added by modulation.

#### 5. TESTING OF LINES, CONNECTORS, FILTERS, ETC.

The THRULINE is highly useful for this purpose, and may be employed in several ways.

(a) VSWR (Insertion) or  $\beta$  (Insertion) may be measured with the line terminated in a good load resistor (TERMALINE). The lower limits of sensitivity in this are given above under LOW REFLECTION MEASUREMENTS.

(b) ATTENUATION (Power lost by heat in the line) as well as VSWR (Insertion) and  $\beta$  (Insertion) may be measured by inserting the unknown line between two THRULINES, or between two RF bodies used with one meter and one set of Elements. (End of line to be terminated in a load resistor). This method applies also to insertion between the THRULINE and a TERMALINE absorption wattmeter.

Very small values of attenuation require allowance for normal instrument errors. The correction may be determined by direct rigid connection of the THRULINES, or of the THRULINE-TERMALINE combination, in cascade. Slight juggling of zero settings is permissible for convenience in eliminating computation, provided readings are being taken fairly well up on scale.

(c) ATTENUATION BY OPEN OR SHORT CIRCUIT METHOD. Neater by far than method (b) is one depending on the high directivity (null balance) to which the THRULINE Elements are held. They should, and do, exhibit good equality between forward and reflected readings when the load connector is open or short circuited. In this condition  $\beta = 100$  percent, the forward and reflected waves being equal in magnitude, and  $\rho = \infty$ . Say that this is checked on open circuit, and then a length of line of unknown attenuation, also open circuited, is connected to the load connector. The ratio  $\beta$  then shown is the attenuation in two passes along the line (down and back).

Expressed in dB, (using the equation  $N_{dB} = \log \frac{W}{V}$ ),

the dB figure may be compared with published data for line type and length by remembering to halve  $N_{dB}$ \* because twice the line length is actually being measured.

This measurement should be supplemented by one of  $\beta$  (insertion) as in (a) above, or at least by dc con-

\*Or to double the line length.

tinuity and leakage checks, since the attenuation measurement alone can be in error from faults such as open or short circuits part way down the line.

Open circuit testing is somewhat to be preferred to short circuit, since the reference short (used to check equality initially) must be good, and because the initial equality is somewhat better on open than on short circuit.

Again, for quite low values of measured attenuation, it is advisable to note exact readings (or difference) on the initial equality check, and to allow for this difference.

### 6. FREQUENCY RESPONSE

The Plug-In Elements have a very flat frequency response over a frequency ratio of more than 2-1/2 to one. This characteristic provides a practically flat response within the assigned frequency ranges for all the Elements, see Table I in this Section.

An illustrative set of curves for three Elements of one of these frequency bands is shown in Fig. 4-2.

Notice that on the LOW POWER Element, the fall-off above and below the assigned frequency band is more pronounced than it is for the HIGH POWER Element. The degree of drop in response varies progressively less for each power level from low to high, with the average difference at approximately the mean power level. These curves, Fig. 4-2, may be assumed to be about typical for all of the listed band types (H, A, B, C, D & E) at their respective stated frequencies.

Harmonics, or sub-harmonics, may be known to exist in the measured circuit (outside of the Element frequency band). If so, a rough approximation of the response of the Element to these harmonics may be made by the use of these curves. The frequency ordinate to be read on the graph will be obtained by proportioning the frequency of the Element used with that of the one illustrated. Interpolation of the curve values will give an approximation of the extent that these harmonic signals are being measured by your Element.

The use of the Elements for direct power measurements outside of their stated frequency range is not recommended.

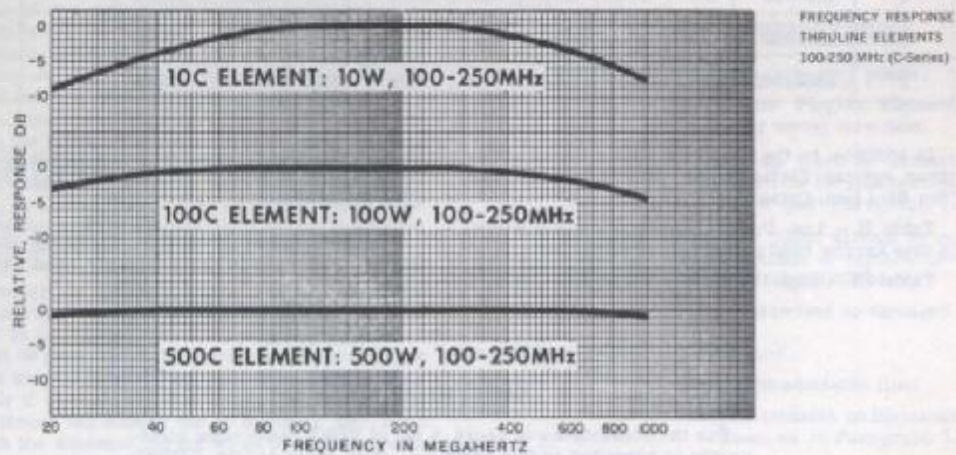


Fig. 4-2. Graph — Representative Frequency Response

## 7. IMPEDANCE MISMATCH

There may be cases where it is necessary to use the THRULINE on other than the 50-ohm circuit for which it is designed.

Using the THRULINE, you will be inserting a 4-inch length of 50-ohm air line and the load on the transmitter will be changed from its original condition without the THRULINE. For a power reflection factor under 10% and frequency below 200 MHz, the 4-inch length mismatch is not too serious. But going any higher than these values, even if the transmitter is tuned up with the THRULINE in place, the load impedance will be very different when it is removed.

The THRULINE, of course, indicates zero reflection when the load, at its load connector, is 50 ohms,

pure resistive. An ideal condition on a 70-ohm line on the load side of the THRULINE will show 3% reflected power, i.e., THRULINE load is 70 ohms resistive, VSWR in the 50-ohm THRULINE is  $70/50 = 1.4$ . The THRULINE can also show this same reflected percentage with  $50/1.4 = 35.7$  ohms pure resistive load which could exist with 10% reflected power on the 70-ohm line (VSWR = 2 on the 70-ohm line). From this you can see that the 70-ohm line could have as much as 10% reflected power and VSWR = 2 when the THRULINE indicates 3% reflected power of VSWR = 1.4.

It should be especially remembered that with 70-ohm lines it is most important to get the reflected power indication and subtract it from the forward, because of this factor being so much more critical here than with intended 50-ohm line.

TABLE I — STANDARD ELEMENTS (CAT. NOS.)

TYPE	Freq. Band MHz	WATTS FULL SCALE									
		5	10	25	50	100	250	500	1000	2500	5000
H	2-30	-	-	-	50H	100H	250H	500H	1000H	2500H	5000H
A	25-60	5A	10A	25A	50A	100A	250A	500A	1000A	-	-
B	50-125	5B	10B	25B	50B	100B	250B	500B	1000B	-	-
C	100-250	5C	10C	25C	50C	100C	250C	500C	1000C	-	-
D	200-500	5D	10D	25D	50D	100D	250D	500D	1000D	-	-
E	400-1000	5E	10E	25E	50E	100E	250E	500E	1000E	-	-

In addition to the Standard Types listed above, other special Elements are provided as follows: (See Bird Gen. Catalog)

Table II — Low Power Elements 1 and 2.5 watts in nine narrow band units from 60 to 950 MHz.

Table III — High Frequency Elements 1, 2.5, 5,

10, and 25 watts in four frequency bands; 950-1260 MHz, 1100-1800 MHz, 1700-2200 MHz and 3200-2300 MHz, respectively.

Table IV — Low Frequency Elements 1K, 2.5K, 5K, and 10K watts in one frequency band; .45 to 2.5 MHz.

## SPECIAL NOTE

For the convenience of users, a set of VSWR conversion nomographs is appended to this handbook. With these charts, VSWR's may be directly ascertained from forward and reverse power values read from the THRULINE Wattmeter.

## 4. MEASUREMENT & MONITORING OF TRANSMITTER POWER

This book will be your best friend in the use of your THRULINE.

## SECTION 5 MAINTENANCE

### 1. INTRODUCTION

With the simple construction and generally self-contained nature of the THRULINE equipment, there is only a moderate amount of maintenance required. One of the major precautions is in handling; use reasonable care and do not drop the THRULINE equipment or the Plug-In Elements.

The main factor in maintenance is care and cleanliness. The Element socket should be kept plugged as much as possible to prevent the intrusion of dust. When a Plug-In Element is used for this purpose (use highest power Element available), it should be positioned with the ARROW pointing upwards. This protects the meter and will not expose the Element crystal to dangerous potentials if the RF line section should be energized. If any of the contacts or line connectors become dirty, they should be cleaned with a little dry cleaning solvent, Inhibisol\* or its equivalent, or trichlorethylene, on a cotton swab stick. Avoid excessive skin contact or inhalation of fumes when using. Observe special care if carbon tetrachloride is used. Clean all contact areas and especially the exposed faces of the Teflon\* insulators.

It is particularly important to keep the mating surfaces of the socket and Plug-In Element clean. This applies to the bore of the socket and the circumference of the THRULINE Element body, but most important to the bottom rim of the Element body and the seat at the base of the socket in the line section. Also, check the ends of the insulated dc contacts on the THRULINE Element to see that they are clean and smooth. These parts should be carefully cleaned with a cotton swab stick and dry cleaning solvent, as above. There must be a good contact between the base of the Plug-In Element and its socket to assure stable operation of the THRULINE.

In cleaning the socket bore, the operator should be careful not to disturb the spring finger of the dc contact. It is important that the operating position of this part be properly maintained. If the spring finger of the dc contact requires adjustment, it may be done manually if carried out with care. The button must be positioned far enough out to maintain good contact with the Element, but not so as to interfere with easy entry of the Element body. The dc jack (with spring finger) may be removed for access by unscrewing the two #4-40 fillister head machine screws which fasten it to the side of the RF line section. Then retract its assembly, watching carefully not to lose the small teflon positioning bead that straddles the base of the phosphor bronze spring and nests in a counterbore on the side of the RF body. When replacing the assembly, be sure that the bead is again properly inserted.

If there is any evidence of the contamination inside the RF line section, the reachable portions should be likewise wiped and the interior carefully blown out. Under no circumstances attempt to remove the RF center conductor. It is tightly frozen in place and any attempt to remove it will ruin the assembly. Keep all connections tight, and keep the nut of the meter cord plug turned tight on the line section dc jack. This connection may often be serviced by simply loosening the nut of the dc plug, swinging the body several times through a fraction of a turn, and retightening the knurled nut securely.

There are no replacement parts furnished with this equipment. As previously mentioned, components of these matched units cannot be interchanged or individually replaced. The replaceable portions to the Line Section are standard parts of the coaxial line fastenings.

### 2. TROUBLE SHOOTING

As a brief guide to the operator in isolating occasional difficulties that may occur in the use of the THRULINE, the following summary is included. The remedies for same are referenced to the text in this section or are self-evident:

<u>DIFFICULTY</u>	<u>POSSIBLE CAUSES</u>
No Meter Indication	No radio frequency power. Arrow on Plug-In Element pointing wrong direction. No pick-up from dc contact finger in the RF line section — adjust per Paragraph 1. Open or short circuit in dc meter cable — replace defective cable (RG-58/U) Meter burned out or damaged.
Intermittent or inconsistent meter readings.	Faulty load. Faulty transmission line. Dirty dc contacts on Elements — Clean as in Paragraph 1. Sticky or defective meter.
High VSWR or high percent reflected power.	Bad load, or poor connectors — see Paragraph 1. Shorted or open transmission line. Foreign material in line section or in RF connector bodies — See Paragraph 1.



### 3. CALIBRATION CHECKS—THRULINE VS. TERMALINE WATTMETERS

It is recognized that calibration of absorption wattmeters is difficult and likely to be inaccurate unless comparison is made with a transmission (through) type of standard. The THRULINE being of such type, a natural question is: can a THRULINE be used to check or recalibrate absorption wattmeters, such as the Bird Electronic TERMALINE, both being rated at  $\pm 5$  percent accuracy? The main question is one of exact power calibration.

The answer is a qualified yes, although with both instruments being about equally old and known to be undamaged, there is not too much reason to prefer either on probable accuracy. The edge is somewhat in favor of the THRULINE, because each Element covers only 2-1/2 to 1 in frequency and will be flatter originally over this range than the TERMALINE can

be held initially over its very much wider (16.7 to 1) frequency range. Also the THRULINE will probably exhibit smaller changes with time, because of the narrower frequency range, because it is simpler in general design and easier in function (does not have to serve as a power load), and because it does not become heated in operation.

Certainly if the absorption wattmeter has gone years since calibration, or is reasonably suspected of inaccuracy, it may well be calibrated against the THRULINE as standard. (Rather than use correction factors, one can, with the TERMALINE Wattmeter, make use of the calibration adjustment screws used in factory calibration. These are concealed and not mentioned in instruction book to discourage tampering. Correspondence is necessary.)

If such calibration is undertaken, care and thoroughness are advised.

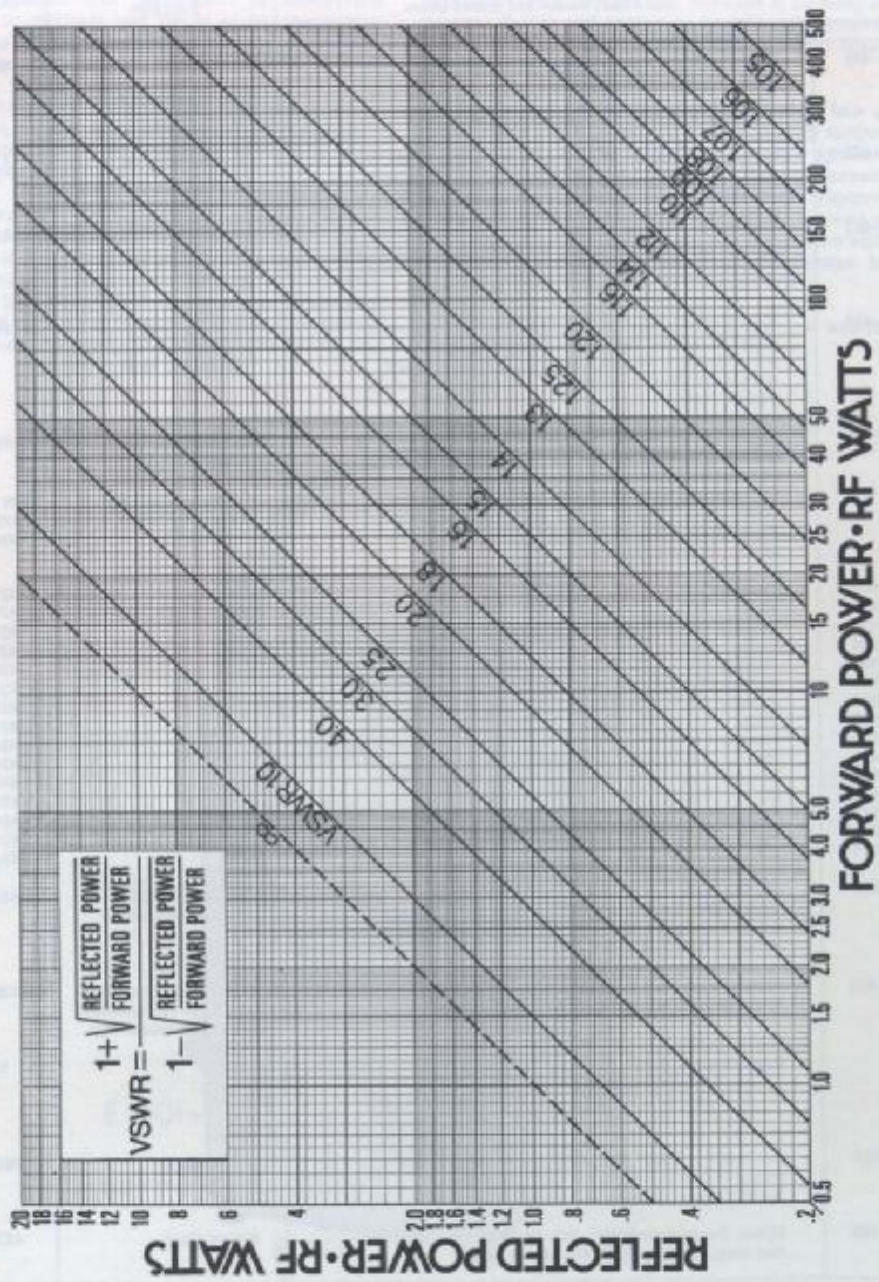


Fig. 5-1. Parts Illustration.

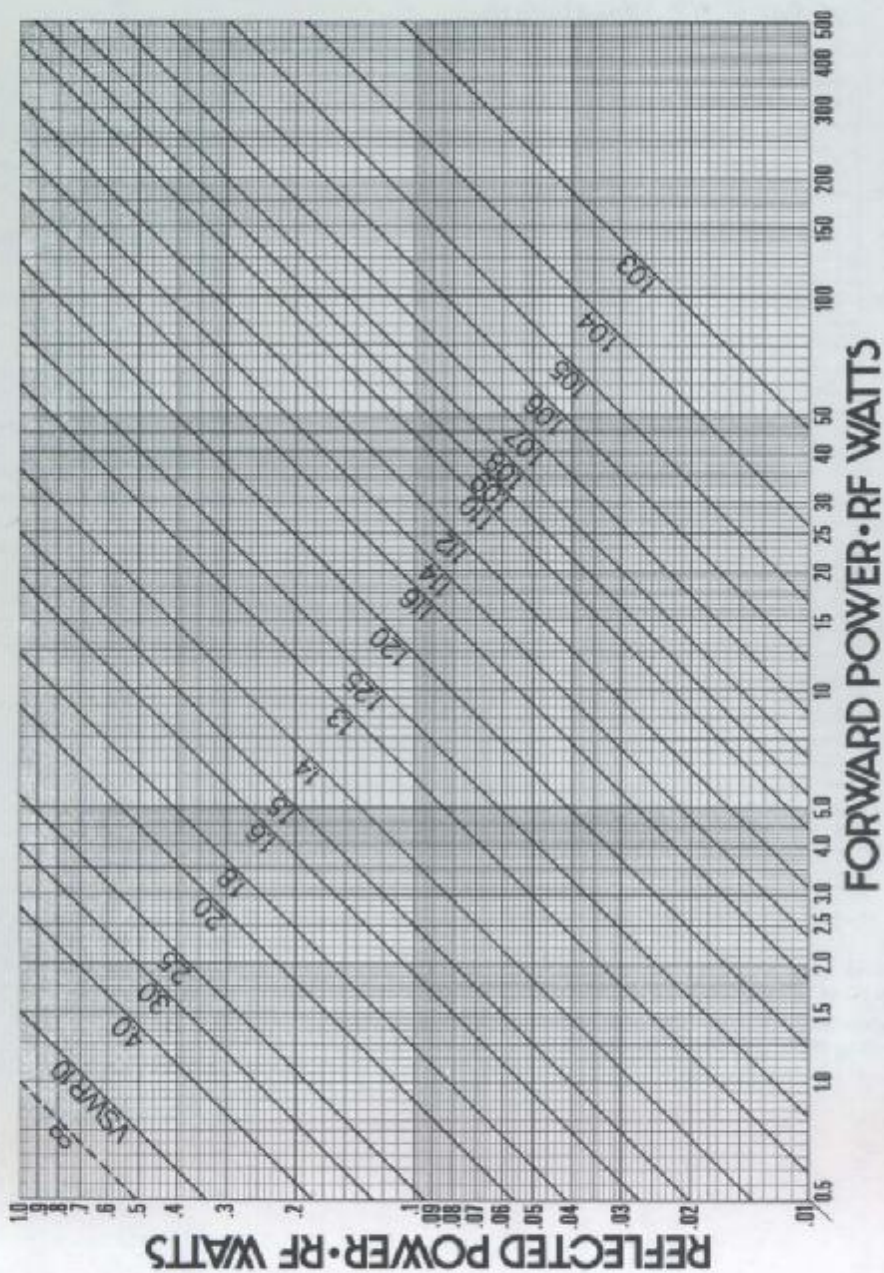
## SECTION 6 - PARTS LIST

Reference Designation	Part Name and Description	Function	Drawing No.
A-401	Housing Assembly: Aluminum die casting, 7 lg x 4w x 3h, w/latch and thumbcrew each side for spare Elements, four rubber bumpers on base, leather carrying strap at top. Gray Enamel.	Houses and protects meter, holds RF line section and spare Element.	4210-018
A-402	Cover Assembly: Aluminum alloy sheet, .040 thk., 6-1/2 lg x 4w x 1-1/2h overall, has four rubber bumpers and slot closing ears. Gray Enamel.	Closes back of housing.	4210-005
E-401	Elements, Plug-In: Brass, w/teflon bottom cover, 1-7/16 lg x 1-1/4 cap dia. x 1 body dia. Gold Plate. Furnished in power and frequency types per Table I, Section 4.	Measuring Element for THRULINE.	4250-020
E-402	Line Section Assembly: Brass Casting, normally supplied w/two female "N" connectors, 5-1/8 lg x 1-1/4w x 1-15/16h, 50-ohm line section and socket for Plug-In Element. Has dc jack at side. Nickel Plate.	RF Line insertion section and measuring base.	4230-018
H-401	Carry Strap: Black Leather, 9 lg between centers, 5/32 x 7/8 section.	Carries meter housing.	8580-003
J-400	Connectors, RF: All types have 1-1/4 sq. mtg. flange, and 1/8 dia. x 5/16 lg. slotted connector pin at rear. Brass, with Teflon insulator. Nickel plate. Fifteen types, viz:	RF connection for standard type connectors.	See individual part numbers listed below.
J-401	Female "N" - 1-5/32 lg.		4240-062
J-402	Male "N" - 1-1/4 lg.		4240-063
J-403	Female "HN" - 1-5/32 lg.		4240-266
J-404	Male "HN" - 1-3/8 lg.		4240-278
J-405	Female "C" - 1-1/16 lg.		4240-100
J-406	Male "C" - 1-7/16 lg.		4240-110
J-407	Female UHF (SO-239) 1-1/4 lg.		4240-050
J-408	Male UHF (PL-259) 1-5/8 lg.		4240-179
J-409	Female "BNC" - 1-5/32 lg.		4240-125
J-410	Male "BNC" - 1-9/32 lg.		4240-132
J-411	Female "LC" - 2-1/32 lg.		4240-031
J-414	Male "LC" - 2-1/2 lg.		4240-025
J-415	Female "LT" - 2-3/32 lg.		4240-018
J-416	Male "LT" - 2-1/2 lg.		4240-012
J-417	7/8" EIA Air Line 2-3/4 lg.		4240-002
J-411	DC Connector Assembly: Brass fitting, w/phosphor bronze spring at rear, 1" dia. flange x 1-1/4 overall, 5/8 -24 thd. on connector body, center contact on front, teflon insulators. Nickel Plate.	DC Jack for line section assembly.	4230-010
M-401	Microammeter: 30ua full scale. Flush 3-1/2" bakelite case, solder terminals, special scale.	Meter for power reading. (For replacement usually furnished as 8-000 Kit.	2080-002
	Replacement Meter Kit Consisting of: 1 - 2080-002 Meter 1 - 4220-097-1 Cable Assembly 3 - 4220-008 Bumper Feet		8-000
P-401	Connector, Plug: Part of cable W-403, Brass fitting 1-1/4 lg x 5/8 x 3/4d, water proof. Nickel Plate. Navy type D6-491859.	DC Plug for RG-58/U meter cord.	7500-076
W-403	Meter Cable Assembly: RG-58/U cable, 2-3/4 feet long, w/dc plug P-401 at one end.	Meter Cord.	4220-097-1

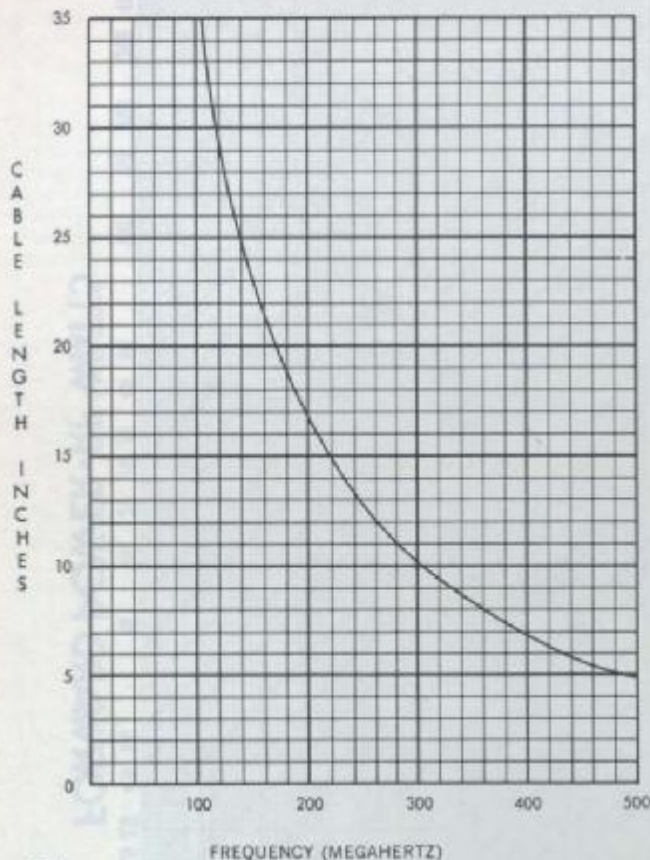
# APPENDIX



Following the vertical and horizontal grid, determine intersection of forward and reverse power values. Slanted lines passing closest to this point indicate VSWR.



## Required Length of RG-8/U Cable With Connectors When added to Bird Model 43 Thruline to Equal 1/2 Wavelength



**NOTE:**

1. When using UHF Plug 259 the cable length is measured from tip to tip of center pin of plugs.
2. When using other connectors the cable length is measured from end to end of outer conductor of connectors.

When a "43" is used to match a load to a transmitter and a good match is obtained, removing the instrument will not cause any change in the conditions, since a good 50-ohm load can be placed at the end of a 50-ohm transmission line of any length without altering conditions at the transmitter.

What happens when the load is not well matched, like an antenna with a VSWR of 1.5 or 2.0? Since the length of line between a mismatched load and the source transforms the impedance of the load as seen at the source, line length now becomes critical. If the adjustments for maximum power transfer were made with the "43" in place, removing it shortens the line by 4 inches, plus two connectors. This still is no cause for concern at low frequencies, where 4 to 5 inches is a small fraction of a wavelength. At higher frequencies (e.g. above 100 MHz), power output and frequency of the source may be affected.

It is a principle of transmission line theory that the impedance is identical on either side of  $\frac{1}{2}$  wavelength. In order to duplicate the conditions in your transmission line with the "43" either in or out of the line, it is only necessary to insert or remove a one-half wavelength.

This is easily done by making up a length of cable which, when added to the THRULINE, equals  $\frac{1}{2}$  wavelength at the frequency of measurement. (If more than one frequency is involved, one cable is needed for each frequency.)

**QUALITY INSTRUMENTS  
FOR RF POWER MEASUREMENT**

*From 2 to 2300 MHz and from 25 milliwatts  
to 250 kilowatts in 50-ohm coaxial line systems.*

---

**TERMALINE<sup>®</sup>**

**ABSORPTION  
WATTMETERS**

**LOAD RESISTORS**

**CALORIMETERS**

---

**THRULINE<sup>®</sup>**

**DIRECTIONAL  
MONITORING  
WATTMETERS**

---

**TENULINE<sup>®</sup>**

**ATTENUATORS**

---

**COAXWITCH<sup>®</sup>**

**SELECTOR  
SWITCHES**

---

**COAXIAL RF FILTERS**

---

**SENRILINE<sup>®</sup>**

**FILTER-COUPERS**

---



**Electronic Corporation**

30303 Aurora Road, Cleveland (Solon) Ohio 44139